

Profile cylinder system Integral:

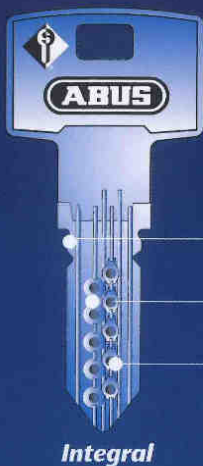
High security reversible key system

Advantages:

- integrated hardened materials provide optimum drill protection
- symmetrical reversible key with strengthened cross-section, guarantees high stability and optimum handling
- up to 16 active locking elements in three planes of angles plus 2 additional lateral locking elements for a highly effective protection against manipulation

The system Integral is ideally suited for very large key

systems and meets highest technical demands.



6 cuts possible for the first row of pins

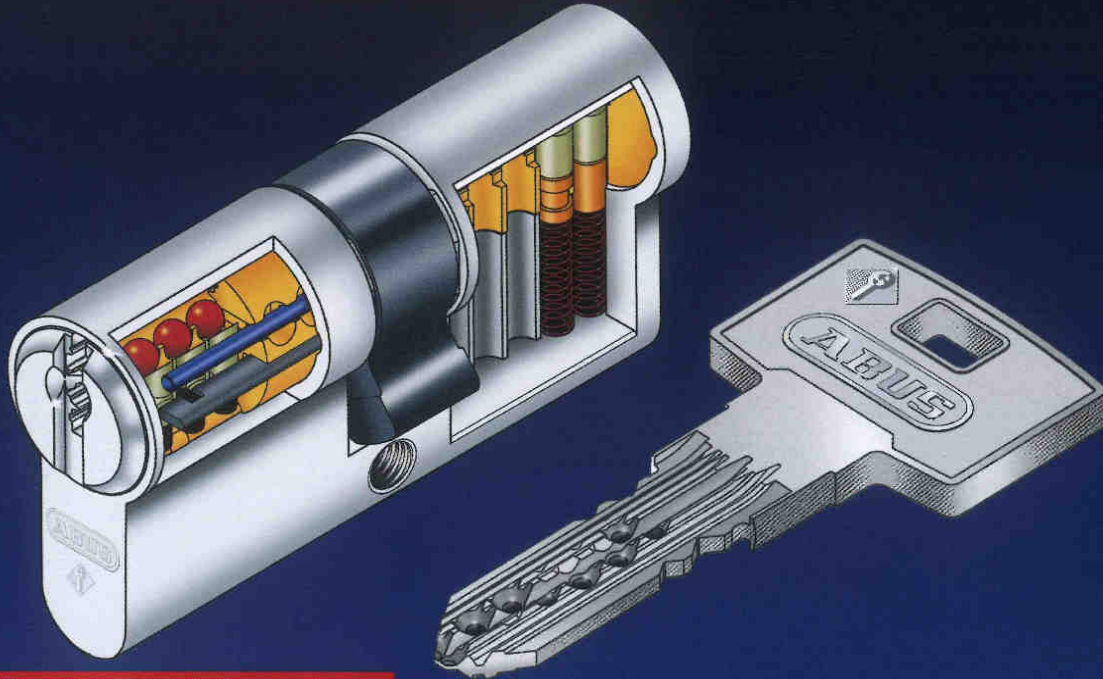
5 dimples for the second row of pins

5 dimples for the third row of pins



Profile cylinder system Integral:

High security reversible key system



General advantages of the system:

- 14 mm core diameter: possibilities for larger key systems
- key and pins made from nickel silver reduce the tear+wear effect and increase longevity
- as standard, the first and third pair of pins are made from hardened special steel to provide good drill protection
- patented locking technique provides legal protection against copying and as such larger key security
- optionally VdS class B (BS) as of 6 key cuts, i.e. insurance demands can be met
- profile cylinders are manufactured according to DIN EN 1303 and DIN 18252, i.e. latest state-of-the-art security.

As standard, in the system „Integral“ double cylinders, thumb turn cylinders and half cylinders are available. Other cylinder types on inquiry.

Your specialist dealer:

Schließanlagen GmbH
Pfaffenhain

Fabrikstraße 1
09387 Jahnsdorf
Tel.: +49 37 29 6/713-0
Fax: +49 37 29 6/713 713

